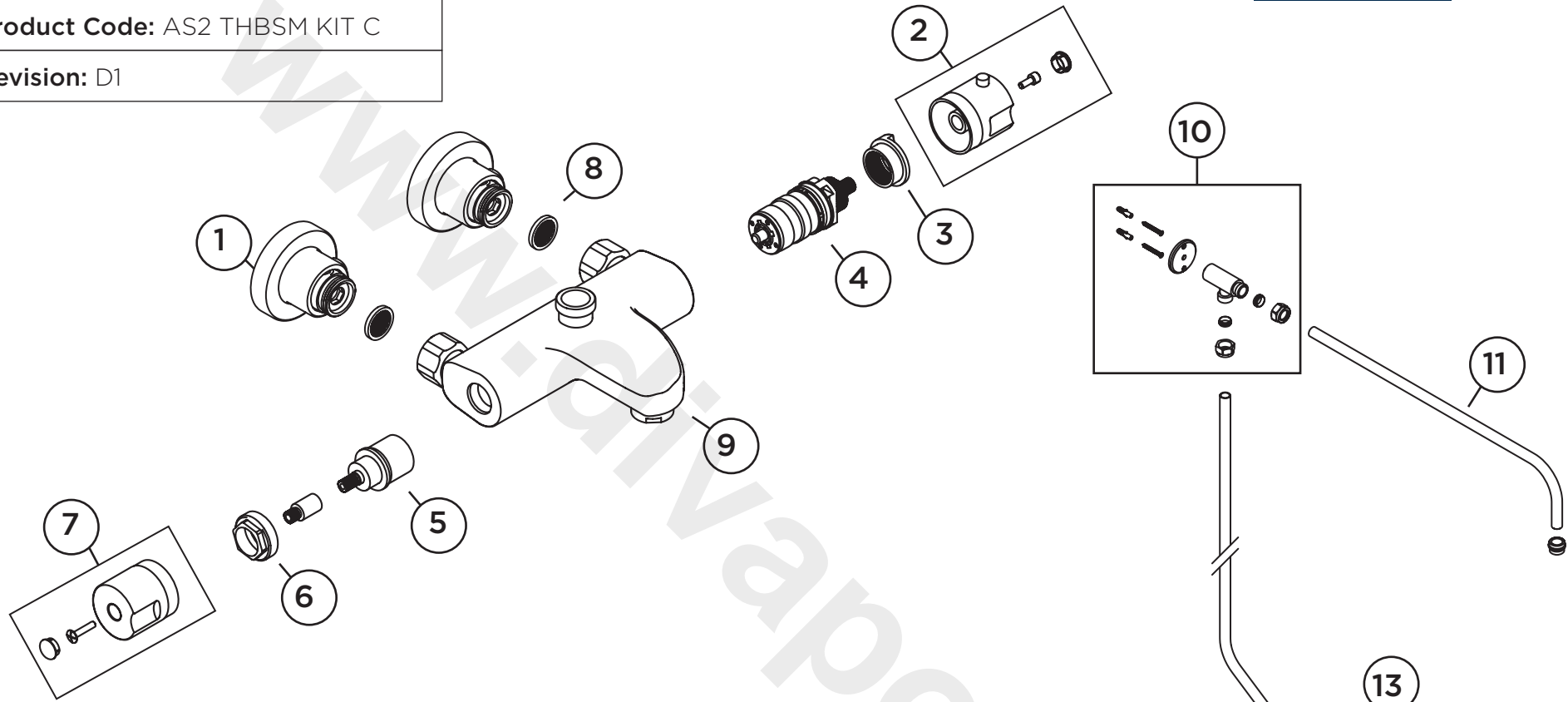


Product Code: AS2 THBSM KIT C
Revision: D1



1	Wall Mount		
2	Temperature Handle Assembly		
3	Temperature Stop		
4	Thermostatic Cartridge		
5	Diverter Cartridge		
6	Cartridge Retaining Nut		
7	Flow/Diverter Handle	11	Riser Arm
8	Filter	12	Riser Connector
10	Riser Wall Bracker	13	Outlet Connector